

Absolute Process Instruments, Inc.

Manufacturer of Quality Signal Conditioners Transmitters & Isolators

Application Notes

- General Info
- Temperature
- Pressure
- Flow
- Speed
- Weighing
- Process

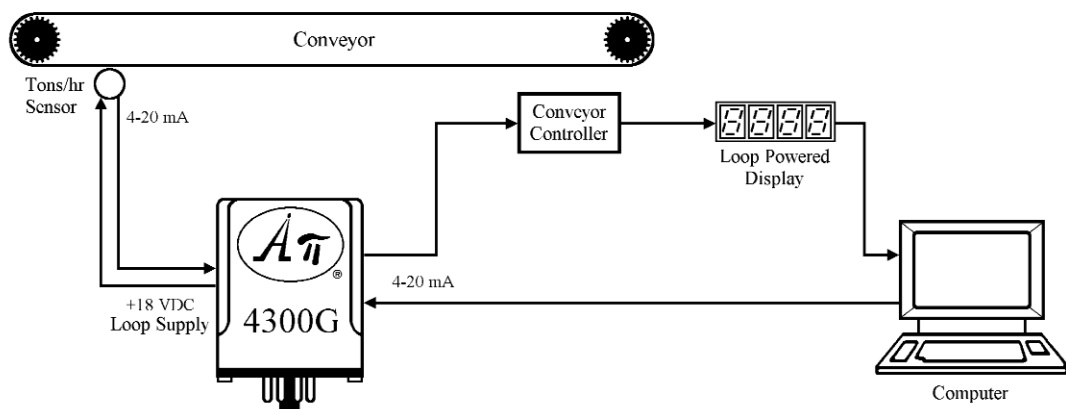
Monitoring Product Moved by a Conveyor

PROBLEM

The amount of product in tons per hour moved by a conveyor is required for the conveyor controller, for a local display, and for computer monitoring. The total loop impedance is 875 ohms.

SOLUTION

A sensor which produces an output proportional to the rate of movement of product is installed on the conveyor.



An **API 4300 G** Isolated DC to DC Transmitter module provides power for the sensor from its built-in +18 VDC loop excitation supply. The 4-20 mADC output of the sensor is replicated by the **API 4300 G** and its 4-20 mADC output loop drives the conveyor controller, a loop powered display and the computer input. The output of the **API 4300 G** is capable of driving up to 1000 ohms.

Did You Know...?

The **API 4300 G** can be provided with a reverse acting output.

FREE APPLICATION ASSISTANCE
Call  **Customer Service**
800-942-0315

