

K-SUPPLY

Redundant power supply module with overvoltage protection

Power supply: 19.2-30 VDC
Max. voltage drop: 300 mV
Input: 2 independent channels, max. current per terminal 4 A
 Differential mode filter

Use with any powered K-Line module



K-BUS

Expandable power supply connector (EN 60175)

Expandable K-BUS connector mounts inside DIN rail. Each connector supports two devices. Allows the distribution of power to connect devices to a voltage source.

Use with any powered K-Line module



Quick Link
api-usa.com/k-line



K LINE

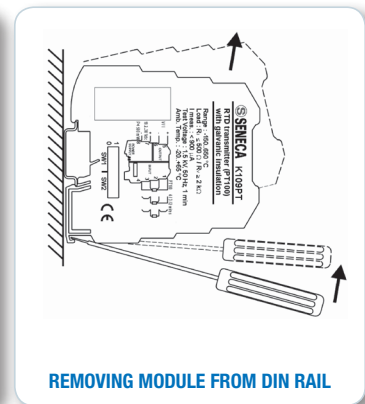
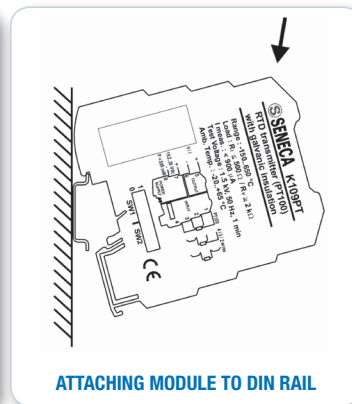
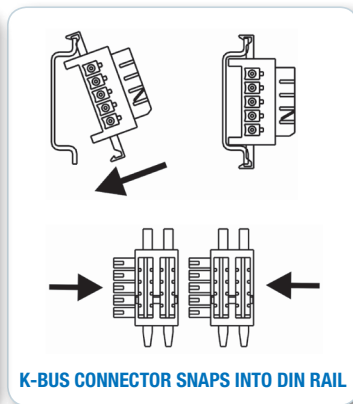
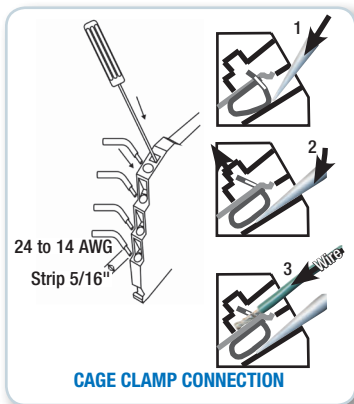
ORDER CODE

K-SUPPLY Power supply module with electronic protection

ORDER CODE

K-BUS 2 slot expandable power supply connector

CONNECTION AND INSTALLATION



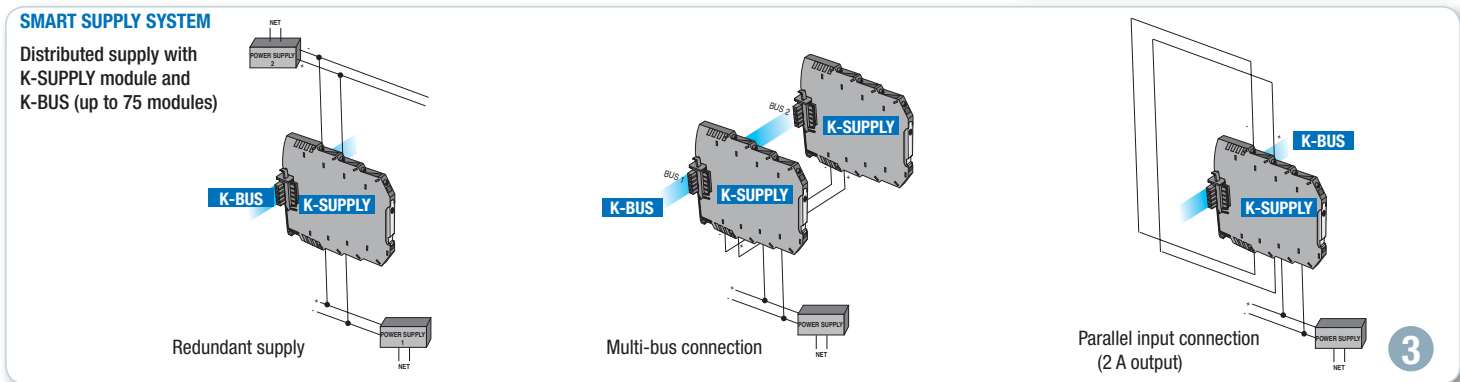
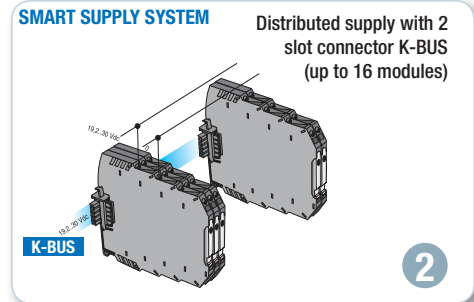
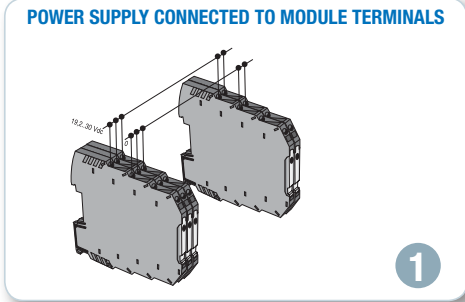
K-LINE POWER SUPPLY TECHNIQUES

With the exception of loop powered instruments, which aren't bus powered, K-Line signal conditioners can be powered 3 different ways.

19 to 30 VDC power directly to signal conditioner.

Up to 16 devices: SMART SUPPLY system using K-BUS connectors. Power is distributed by connecting a single device to the voltage source, as long as total power consumption doesn't exceed 400 mA.

17 to 75 devices: K-SUPPLY module with on-board over-voltage protection with maximum current consumption of 1.6 A (approx 21 mA per module). This method allows use of a redundant power supply for critical applications.



SOFTWARE

EASY USB



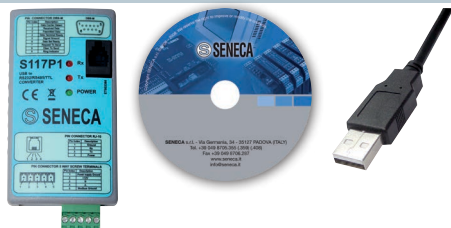
USB - UART TTL Converter

Power supply PC 5V @100mA
Protection degree IP20
Serial UART TTL RJ11 connector
Baud rate 300 bps up to 250 Kbps
Serial USB USB type A standard 1.0, 1.1, 2.0
Dimensions 84x21x17 mm
Operating systems Windows, Mac OS, OS-X, Linux

ORDER CODE

EASY-USB USB - UART TTL Converter

S117P1



Serial converter RS232-USB, TTL-USB, RS485-USB

- Asynchronous serial RS232, RS485 and TTL conversion
- Multiple S117P1 connections on the same computer
- Standard compatibility with USB 1.0, 1.1, 2.0
- RS485 communication, max 32 nodes
- Power for external modules (100mA, 12 VDC)
- Accessories included: USB cable, TTL cable, CD driver + EASYLP (configuration software for K120RTD, K121, T120 and T121)

ORDER CODE

S117P1 Asynchronous serial converter
 RS232 <-> USB,
 RS485 <-> USB
 TTL <-> USB
 Includes USB cable, TTL cable, CD driver + EASYLP configuration software

EASY SETUP / EASY LP

Complete collection of plug&play configurators



For K111 - K121, K120RTD

DISPLAYS



The S315 accepts a 4-20 mA current signal input. Its operating power is derived from the current loop. The 4 digit display can be scaled via the front keys. The compact 1/8 DIN size saves space in the electrical panel.



S315

4 digit loop powered display with 4-20 mA input signal

S315-IP66

4 digit loop powered display with 4-20 mA input signal and IP66 case

Electrical Specifications	
Type	4-20 mA
Power supply	By loop (max 30 V)
Voltage drop	Max 7 V
Memory	EEPROM, 10 years
Display	4 digit, red LEDs
Front buttons	3 (down, up, OK/menu)
Programming	Front keys (password, scale start, full scale, decimal point, filter)
Access protection	By password
Accuracy	±0.05%
Stability	±0.005%/°K
Linearity error	±0.05%
A/D resolution	16 bit
EMI	< 1%
Mechanical Specifications	
Operating temperature	-10 to +65°C
Terminal block	Removable 2 position screw terminals, 5.08mm pitch
S315 enclosure	PPO self-extinguishing, DIN 43700
S315 protection rating	IP65 (front)
S315 dimensions	96 mm W x 48 mm H x 40 mm D
S315 panel cut-out	92 mm W x 45 mm H (1/8 DIN)
S315 weight	200 g
S315-IP66 enclosure	ABS RAL 7035
S315-IP66 protection rating	IP66
S315-IP66 dimension	130 mm W x 89 mm H x 60 mm D
S315-IP66 weight	280 g
Approvals and Standards	
S315 approval	CE
S315 standards	EN 61000-6-4, EN 64000-6, EN 61010-1, EN 60742
S315-IP66 approvals	CE, UL, NEMA
S315-IP66 standards	EN 61000-6-4, EN 64000-6, EN 61010-1, EN 60742, EN 50298, EN 60259, EN 62262, UL 94 HB, NEMA 1, 4, 4X, 6

ORDER CODES

Model	Description	Model	Description
S315	4 digit loop powered indicator, 4-20 mA input	S315-IP66	4 digit loop powered indicator, 4-20 mA input with IP66 housing

APPLICATION NOTE

